

Vertical-type low gripping force chuck

VSP21



Gentle gripping
Dustproof and waterproof
Low maintenance

*Soft jaws not included



Have you given up on automation because you thought you could only hold thin, easy to distort disk workpieces with a scroll chuck?



A new vertical-type 21-inch low gripping force power chuck for thin disk workpieces has arrived.

Gently grips large workpieces with low gripping force.

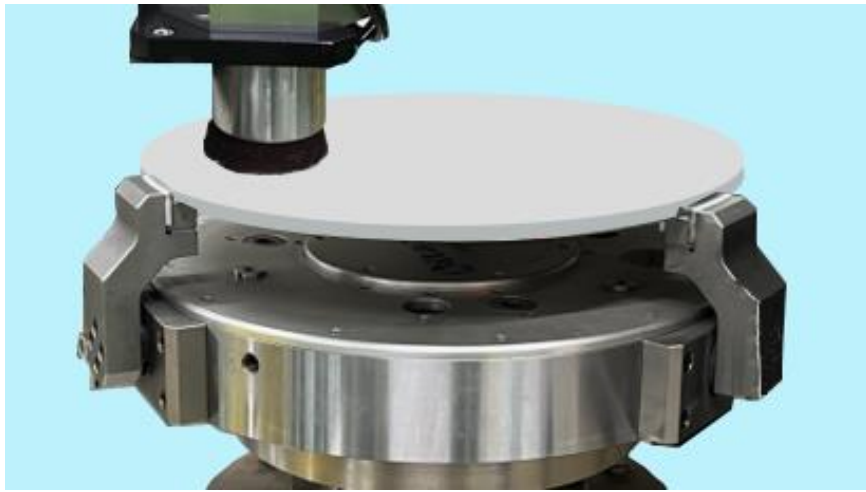
Gently grips workpieces without damaging them.
Static gripping force: 5-18kN

Dustproof and waterproof specifications

Ideal for use in environments exposed to dust such as chips and cutting fluid (IP55 equivalent)
Can also be used for dry machining
※Not completely waterproof

Low maintenance

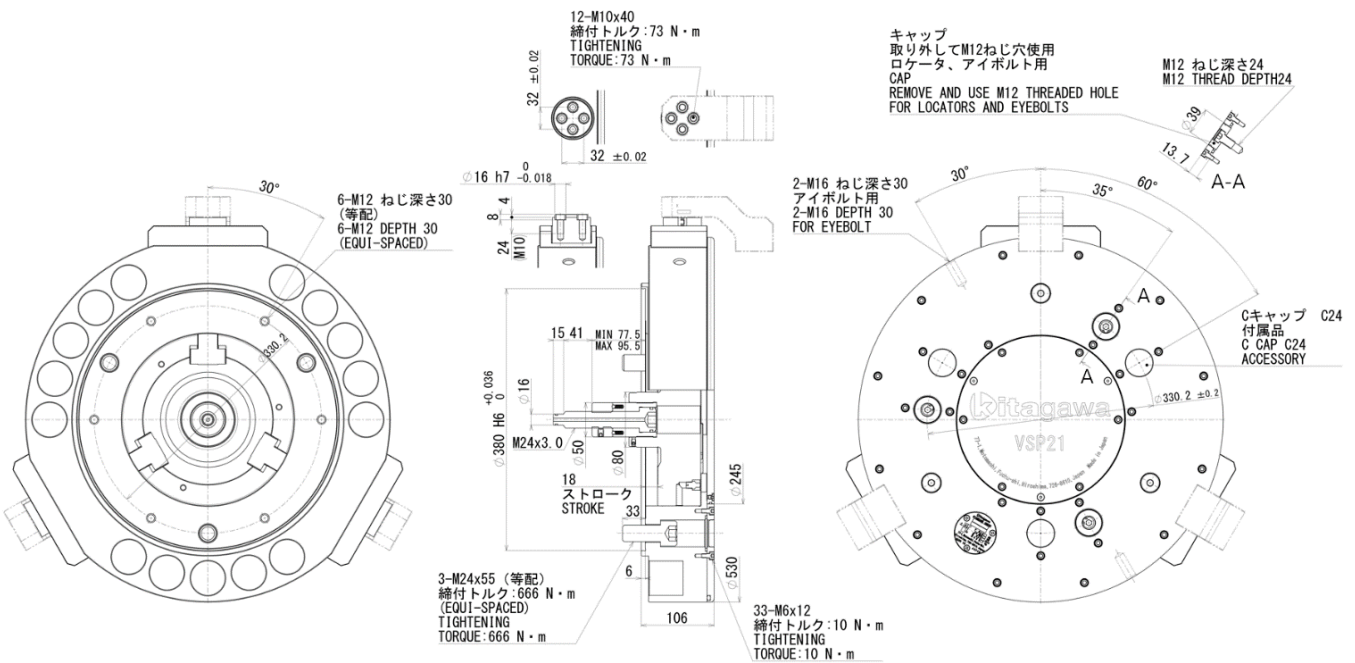
The adoption of a low-friction structure maintains stable low gripping force for a long period of time.



VSP21 application image – Polishing process

*Soft jaws not included

Dimensional drawing



Specifications

Plunger stroke	Jaw stroke (diameter)	Max. drawbar pull force	Max. gripping force	Max. speed	Mass	Moment of inertia	Matching cylinder	Max. pressure
18 mm	20 mm	11 kN	18 kN	200 min ⁻¹	150 kg	6.0 kg・m ²	Y0720RE	3.2 MPa

For technical information on Kitagawa products, visit the Kitagawa Web Showroom.
<https://prod.kiw.co.jp/exhibition/mtools/en>



<https://www.kiw.co.jp> <https://www.kitagawa.com> <https://www.kitagawa.com.cn>

Kitagawa Corporation Kitagawa Global hand Company

77-1 Motomachi, Fuchu-shi, Hiroshima-pref. 726-8610, Japan Tel. +81 847-40-0561 Fax. +81 847-45-8911

- Specifications and outside appearance are subject to change without notice due to ongoing research and development.
- The color of the actual product may be different from the catalogue's due to printing matters.
- Catalogue contents as of 2024.11
- The products herein are controlled under Japanese Foreign Exchange and Foreign Trade Control Act. In the event of importing and/or exporting the products, You are obliged to consult KITAGAWA as well as your government for the related regulation prior to any transaction.