

External Option : Power Transmission Option (Connector Based on MIL-DTL-5015)

Master Cylinder
model SWRZ0E0-M



Tool Adapter
model SWRZ0E0-T



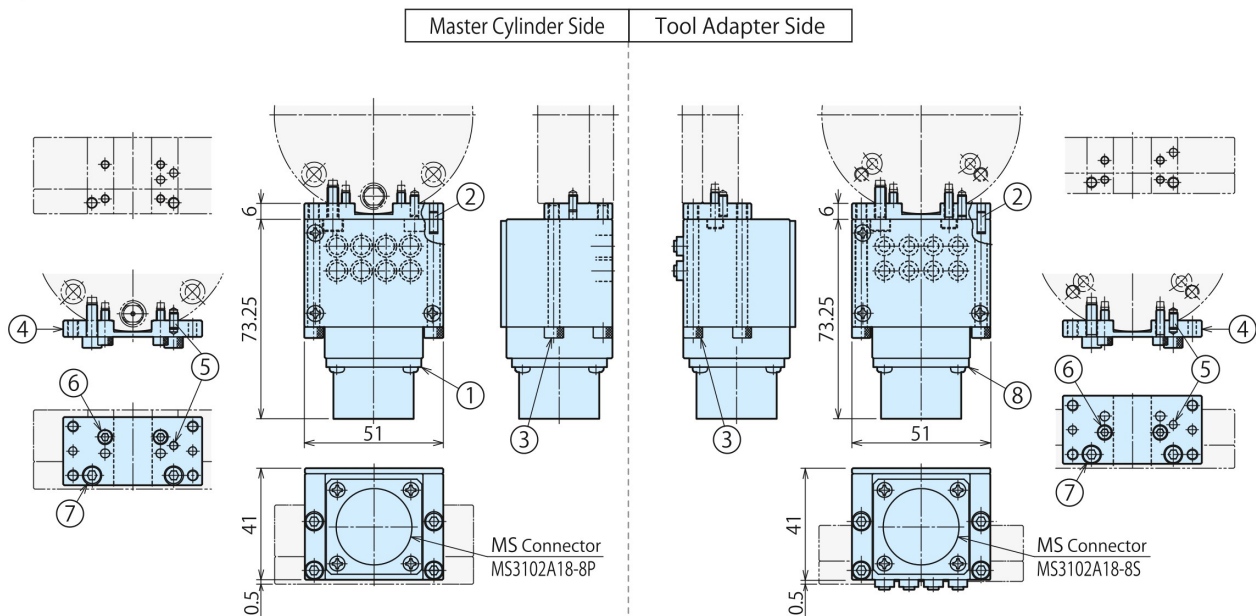
Specifications

| | |
|---------------------------------|---|
| Rated Value (per contact) | AC/DC 200V 5A |
| Total Current Capacity | 24A |
| Number of Poles (per electrode) | 8 |
| Weight※1 | Master Cylinder Side Electrode 140g / Bracket 21g |
| | Tool Adapter Side Electrode 150g / Bracket 21g |

※1. Weight per electrode.

Bracket weight shows the weight of SWRZ0E0.

External Dimensions



| Model No. | No. | Name | Quantity |
|-----------|-----|---|----------|
| SWRZ0E0-M | ① | Electrode (Master Side) | 1 |
| | ② | Parallel Pin $\phi 3 \times 8$ B Type (SUS) | 2 |
| | ③ | Hexagon Socket Bolt M4×0.7×45 (SUS) | 4 |
| SWRZ0E0 | ④ | Bracket (Common for Master/Tool Side) | 1 |
| | ⑤ | Parallel Pin $\phi 3 \times 6$ B Type (SUS) | 1 |
| | ⑥ | Hexagon Socket Bolt M3×0.5×10 (SUS) | 2 |
| | ⑦ | Hexagon Socket Bolt M4×0.7×12 (SUS) | 2 |

| Model No. | No. | Name | Quantity |
|-----------|-----|---|----------|
| SWRZ0E0-T | ⑧ | Electrode (Tool Side) | 1 |
| | ② | Parallel Pin $\phi 3 \times 8$ B Type (SUS) | 2 |
| | ③ | Hexagon Socket Bolt M4×0.7×45 (SUS) | 4 |
| SWRZ0E0 | ④ | Bracket (Common for Master/Tool Side) | 1 |
| | ⑤ | Parallel Pin $\phi 3 \times 6$ B Type (SUS) | 1 |
| | ⑥ | Hexagon Socket Bolt M3×0.5×10 (SUS) | 2 |
| | ⑦ | Hexagon Socket Bolt M4×0.7×12 (SUS) | 2 |