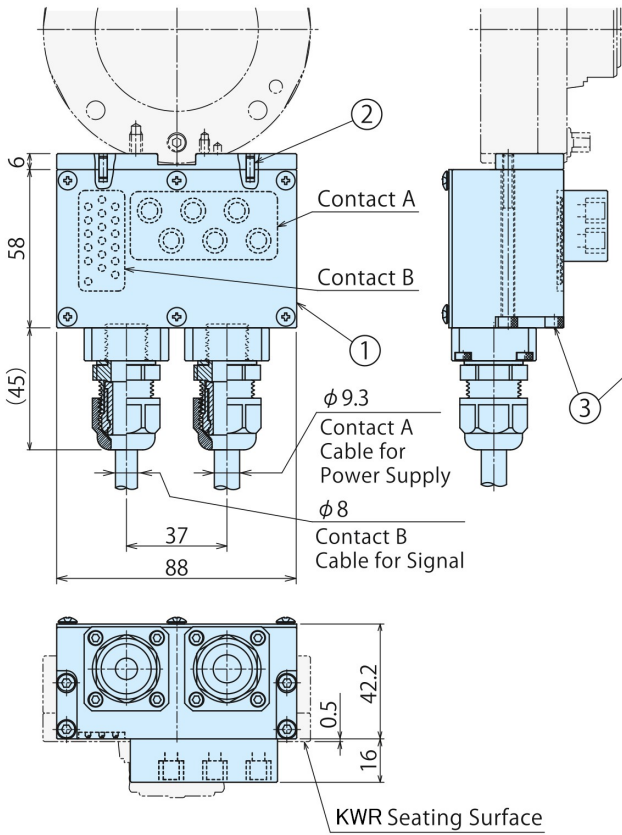


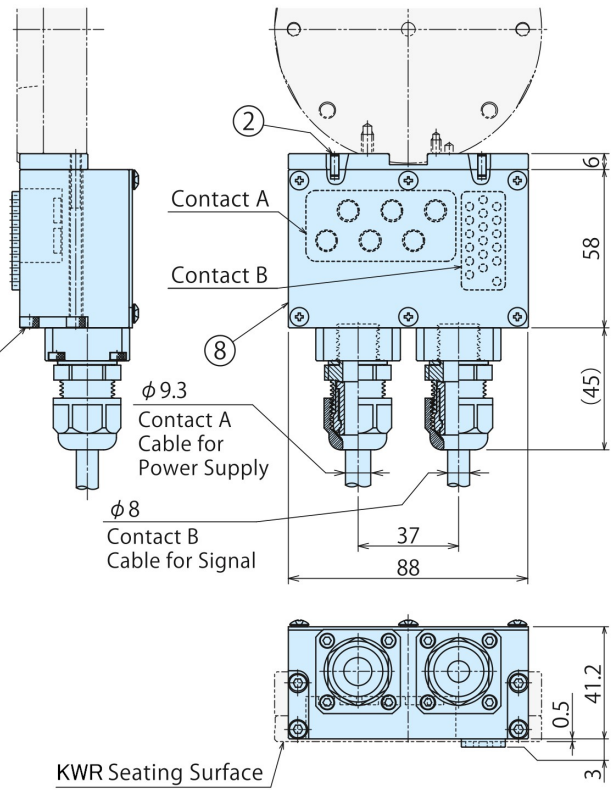
● External Dimensions

Master Cylinder Side	Tool Adapter Side
----------------------	-------------------

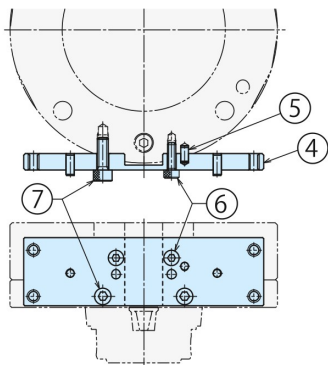
Electrode Part



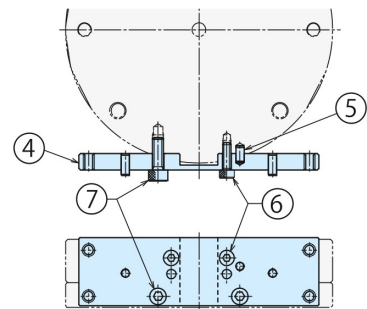
Electrode Part



Bracket Part



Bracket Part



Model No.	No.	Name	Quantity
SWRZ0F0 -M01/M02/M05	①	Electrode (Master Side)	1
	②	Parallel Pin φ3×8 B type (SUS)	2
	③	Hex. Socket Bolt M4×0.7×60 (SUS)	4
SWRZ0F0	④	Bracket (Common for Master/Tool Side)	1
	⑤	Parallel Pin φ3×6 B type (SUS)	1
	⑥	Hex. Socket Bolt M3×0.5×10 (SUS)	2
	⑦	Hex. Socket Bolt M4×0.7×12 (SUS)	2

Model No.	No.	Name	Quantity
SWRZ0F0- -T01/T02/T05	⑧	Electrode (Tool Side)	1
	②	Parallel Pin φ3×8 B type (SUS)	2
	③	Hex. Socket Bolt M4×0.7×60(SUS)	4
SWRZ0F0	④	Bracket (Common for Master/Tool Side)	1
	⑤	Parallel Pin φ3×6 B type (SUS)	1
	⑥	Hex. Socket Bolt M3×0.5×10(SUS)	2
	⑦	Hex. Socket Bolt M4×0.7×12(SUS)	2

Notes : 1. For SWRZ0F0-□01/02/05 the lead wire length is different from its shown in the specifications.
 (SWRZ0F0-□01 : Lead Wire Length 1m, SWRZ0F0-□02 : Lead Wire Length 2m, SWRZ0F0-□05 : Lead Wire Length 5m)