

## External Option : Circular Connector (Connector Based on JIS C 5432)

Master Cylinder  
model SWRZ0G0-M

Tool Adapter  
model SWRZ0G0-T



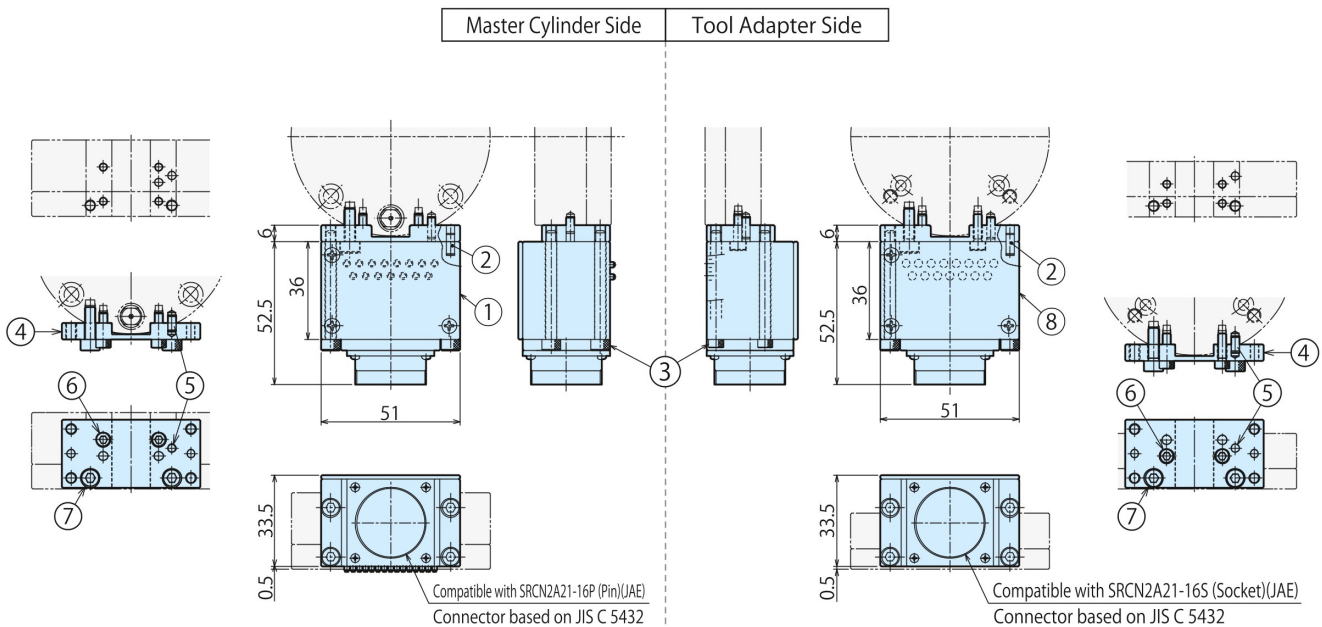
### Specifications

Rated Value (per contact)	DC 24V 3A
Contact Resistance (Initial Value)	100mΩ or less
Total Current Capacity	17A
Number of Poles (per electrode)	15
Weight※1	Master Cylinder Side Electrode 100g / Bracket 21g
	Tool Adapter Side Electrode 120g / Bracket 21g

※1. Weight per electrode.

Bracket weight shows the weight of SWRZ0E0.

### External Dimensions (KWR0250/KWR0500)



Model No.	No.	Name	Quantity
SWRZ0G0-M	①	Electrode (Master Side)	1
	②	Parallel Pin $\phi 3 \times 8$ B Type (SUS)	2
	③	Hexagon Socket Bolt M4×0.7×40 (SUS)	4
Bracket SWRZ0E0	④	Bracket (Common for Master/Tool Side)	1
	⑤	Parallel Pin $\phi 3 \times 6$ B Type (SUS)	1
	⑥	Hexagon Socket Bolt M3×0.5×10 (SUS)	2
	⑦	Hexagon Socket Bolt M4×0.7×12 (SUS)	2

Model No.	No.	Name	Quantity
SWRZ0G0-T	⑧	Electrode (Tool Side)	1
	②	Parallel Pin $\phi 3 \times 8$ B Type (SUS)	2
	③	Hexagon Socket Bolt M4×0.7×40 (SUS)	4
Bracket SWRZ0E0	④	Bracket (Common for Master/Tool Side)	1
	⑤	Parallel Pin $\phi 3 \times 6$ B Type (SUS)	1
	⑥	Hexagon Socket Bolt M3×0.5×10 (SUS)	2
	⑦	Hexagon Socket Bolt M4×0.7×12 (SUS)	2