

External Option : Waterproof Electrode (Simple Waterproof Option)

Master Cylinder
model SWRZ0U0-M⁰¹/₀₂

Tool Adapter
model SWRZ0U0-T⁰¹/₀₂

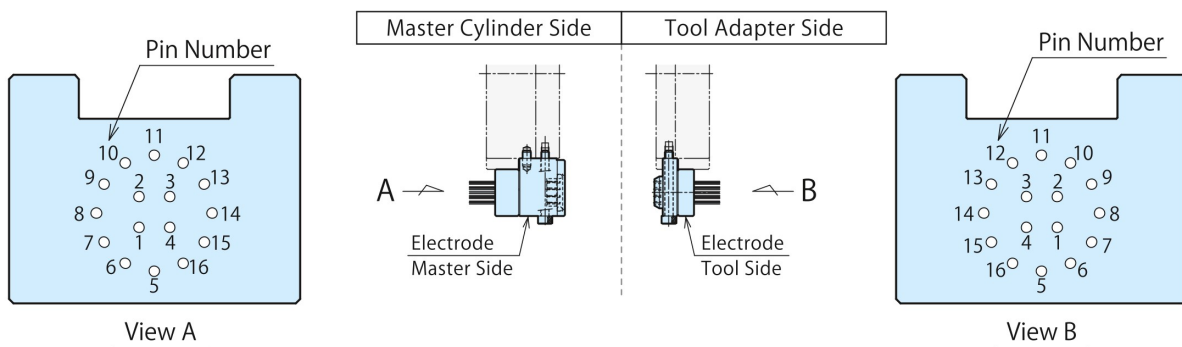
Specifications

Rated Value (per contact)	DC 24V 3A	
Contact Resistance (Initial Value)	100mΩ or less	
Total Current Capacity	10A	
Number of Poles (per electrode)	16	
Lead Wire Length	01	1m
	02	2m
Weight ^{※1}	Master Cylinder Side	Electrode -U01 : 140g / -U02 : 260g
	Tool Adapter Side	Electrode -U01 : 140g / -U02 : 250g
Protection Grade ^{※2}	Equivalent to IP54	

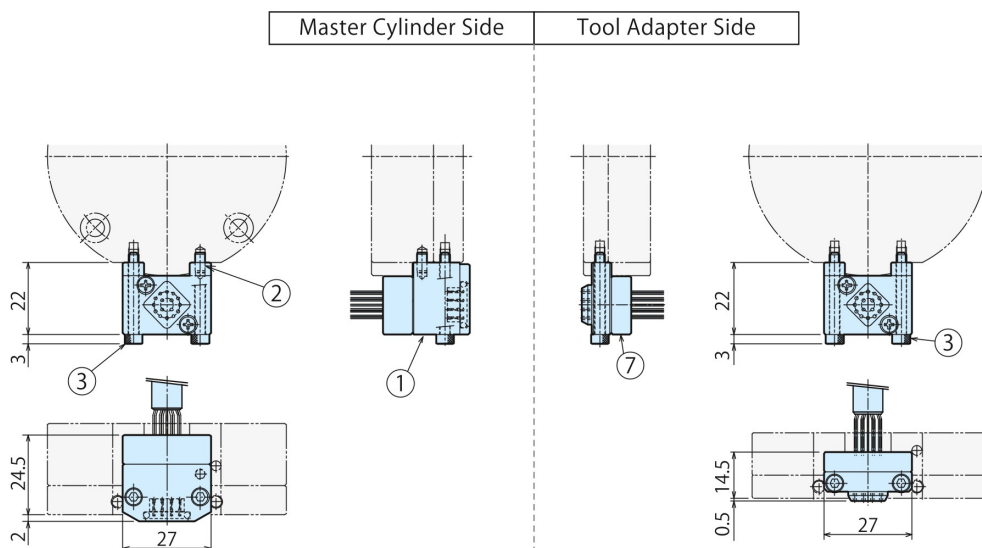
※1. Weight per electrode.

※2. The protection grade is equivalent to IP54 at connected state (fit state) of the master cylinder and tool adapter.

Pin Numbers



External Dimensions (KWR0070/KWR0120/KWR0250/KWR0500)



Model No.	No.	Name	Quantity
SWRZ0U0-M01/M02	①	Electrode (Master Side)	1
	②	Parallel Pin $\phi 3 \times 6$ B Type (SUS)	1
	③	Hexagon Socket Bolt M3 \times 0.5 \times 25 (SUS)	2

Model No.	No.	Name	Quantity
SWRZ0U0-T01/T02	⑦	Electrode (Tool Side)	1
	②	Parallel Pin $\phi 3 \times 6$ B Type (SUS)	1
	③	Hexagon Socket Bolt M3 \times 0.5 \times 25 (SUS)	2

Notes : 1. For SWRZ0U0-□01/02 the lead wire length is different. (SWRZ0U0-□01 : Lead Wire Length 1m, SWRZ0U0-□02 : Lead Wire Length 2m)

