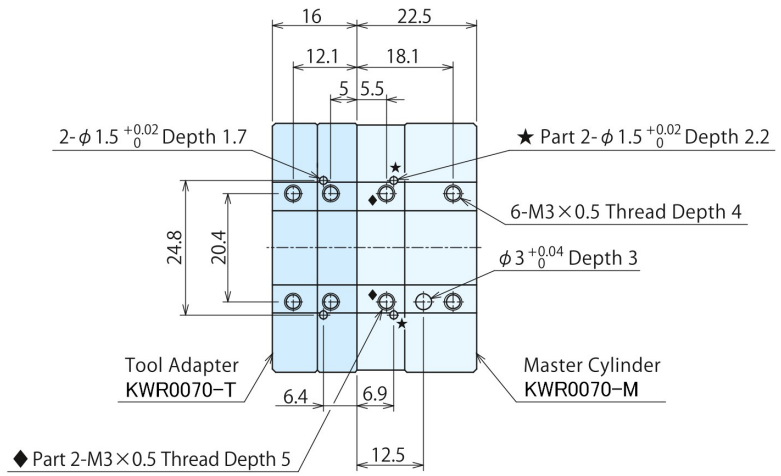
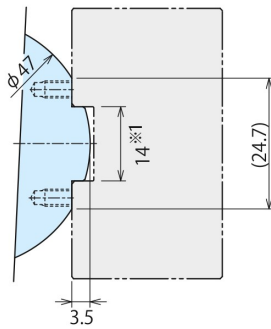


Option Mounting Dimensions (KWR0070 ~ KWR0500)

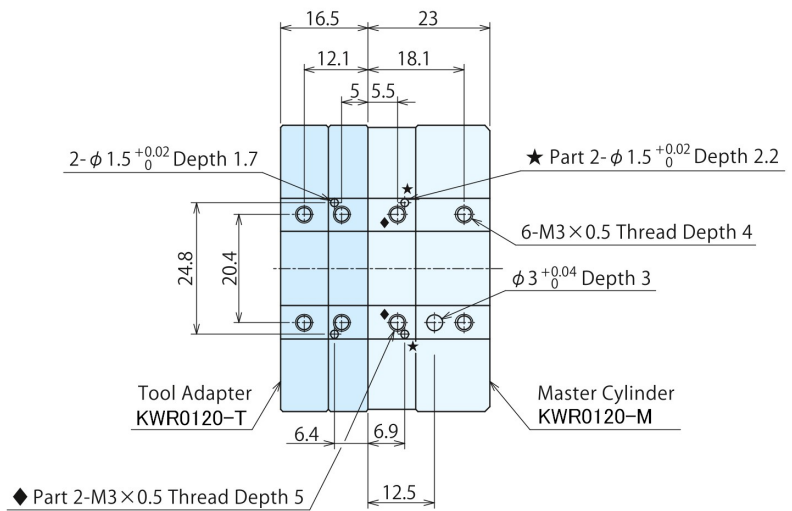
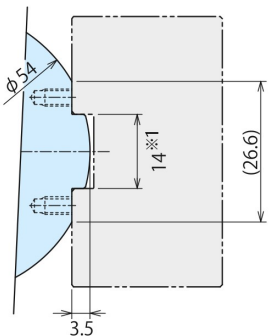
This drawing shows the connected state of the master side and tool side.

KWR0070-M/KWR0070-T



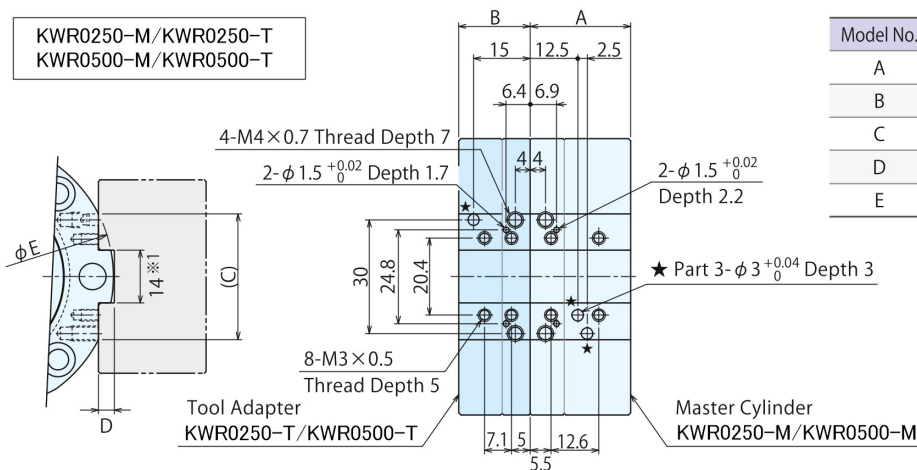
※1. Recommended width of option side is $14^{+0.15}_{+0.05}$.

KWR0120-M/KWR0120-T



※1. Recommended width of option side is $14^{+0.15}_{+0.05}$.

KWR0250-M/KWR0250-T
KWR0500-M/KWR0500-T



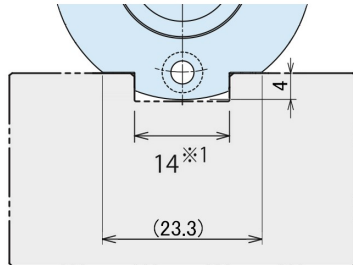
Model No.	KWR0250	KWR0500
A	26.5	31
B	19	25
C	33.2	36.4
D	4	3.5
E	73	98

※1. Recommended width of option side is $14^{+0.15}_{+0.05}$.

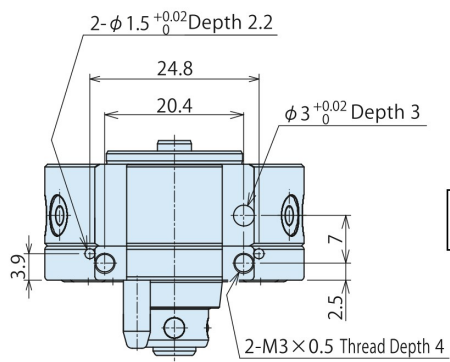
● Option Mounting Dimensions (KWR0010)

This drawing shows the connected state of the master side and tool side.

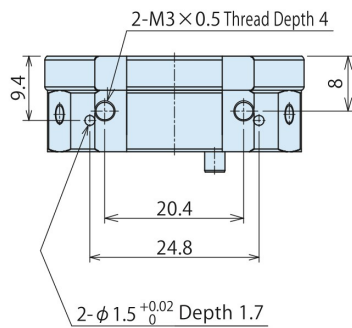
KWR0010-M/KWR0010-T



※1. Recommended width of option side is $14 \begin{smallmatrix} +0.15 \\ +0.05 \end{smallmatrix}$.



Master cylinder
KWR0010-M



Tool adapter
KWR0010-T